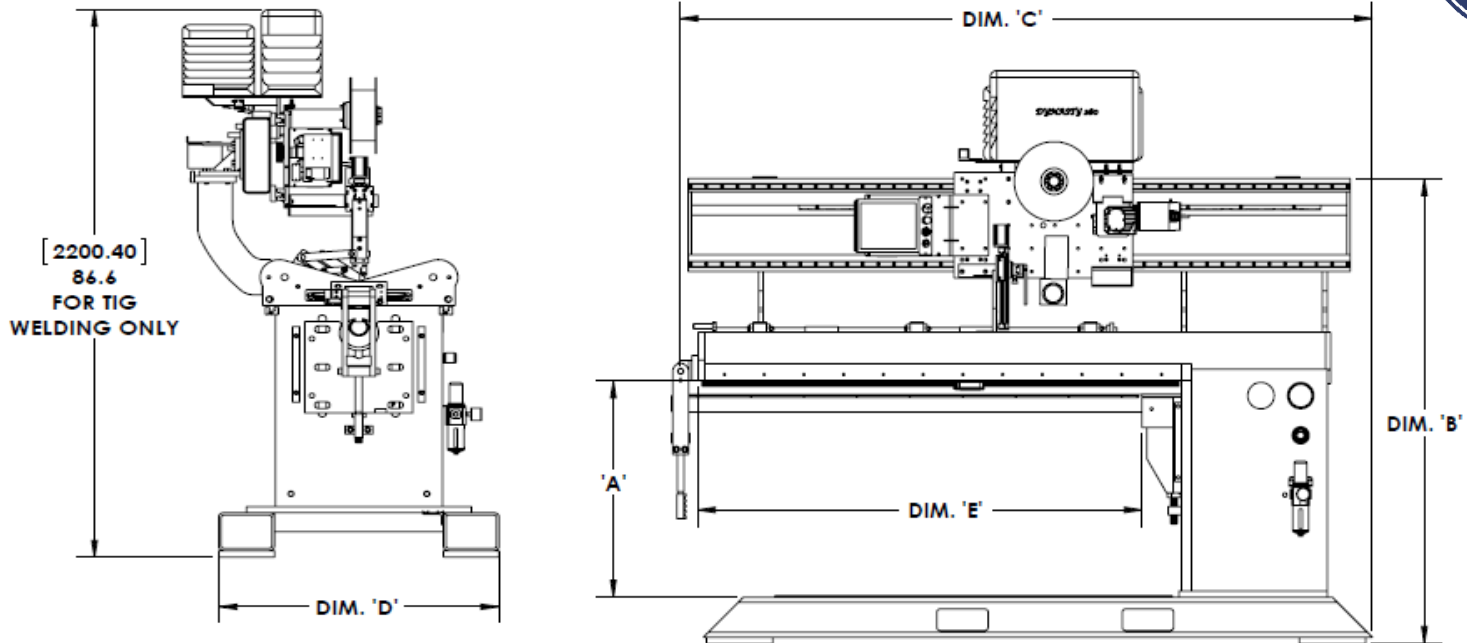




LSW - LONGITUDINAL SEAM WELDERS DIMENSIONS



MODEL #	SEAMER SIZE	DIM. 'A'	DIM. 'B'	DIM. 'C'	DIM. 'D'	DIM. 'E'	WEIGHT
LW-48	48.0 INCHES/1219.2MM	33.0 INCHES/8382.0MM	70.0 INCHES/1778.0MM	92.0 INCHES/2336.8MM	40 INCHES/1022.09MM	55.0 INCHES/1397.0MM	4024 lbs./1825.26kg.
LW-60	60.0 INCHES/1524MM	33.0 INCHES/8382.0MM	70.0 INCHES/1778.0MM	104 INCHES/2641.6MM	40 INCHES/1022.09MM	67.0 INCHES/1930.4MM	4961 lbs./2250.27kg.
LW-72	72.0 INCHES/1828.8MM	33.0 INCHES/8382.0MM	70.0 INCHES/1778.0MM	116.0 INCHES/2946.4MM	40 INCHES/1022.09MM	79.0 INCHES/2006.6MM	6000 lbs./2721.55kg.
LW-96	96.0 INCHES/2438.4MM	33.0 INCHES/8382.0MM	70.0 INCHES/1778.0MM	128.0 INCHES/3251.2MM	40 INCHES/1022.09MM	91.0 INCHES/2311.4MM	6900 lbs./3129.79kg.
LW-120	120.0 INCHES/3048.0MM	33.0 INCHES/8382.0MM	70.0 INCHES/1778.0MM	140.0 INCHES/3556.0MM	40 INCHES/1022.09MM	103.0 INCHES/2616.2MM	7700 lbs./3492.66kg.

Note: Other sizes available upon request.

6161 Maywood Avenue Huntington Park, CA 90255 USA
 Tel: (323) 312 - 2022 Fax: (323) 582 - 7786
 info@mitusaproducts.com
www.mitusaproducts.com