



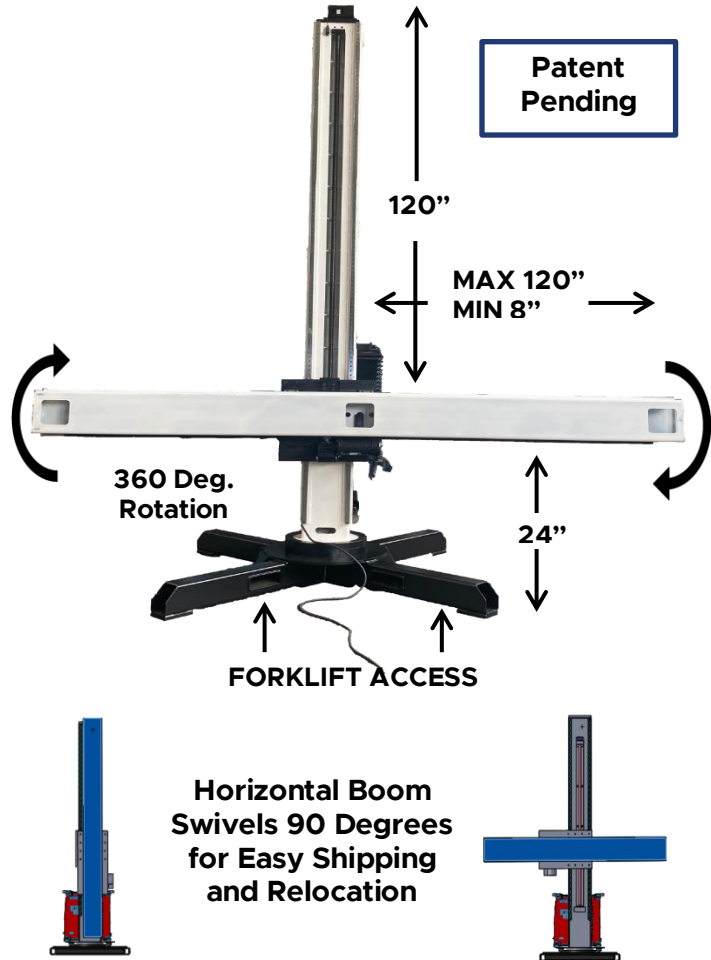
## MITUSALATOR

The MITUSA Manipulator offers a wide **variety of innovated features** as well as the ability **to weld the largest, most unique parts.**

With welding reequipment mounted, it allows for the most efficient mobility, while also providing easiest design to ship and install. The MITUSALATOR can be integrated with SAW, GMAW, GTAW welding processes. Innovated

### Unique Features:

- **500 Lb. Boom Load**
- **Operates on 240V AC 1 Phase**
- **Precision Linear Bearing Rails**
- **Simple Cable Routing**
- **Vertical Travel Speed 45 IPM**
- **Horizontal Boom travel 120 IPM**
- **360 Degree mast rotation**
- **Forklift Access**



### Model and Sizes Available

Model	Vertical	Horizontal
MAN-88	8Ft	8Ft
MAN-110	10Ft	10Ft
MAN-1212	12Ft	12Ft

**6161 Maywood Avenue Huntington Park, CA 90255 USA**  
 Tel: (323) 312 - 2022 Fax: (323) 582 - 7786  
 info@mitusaproducts.com  
[www.mitusaproducts.com](http://www.mitusaproducts.com)